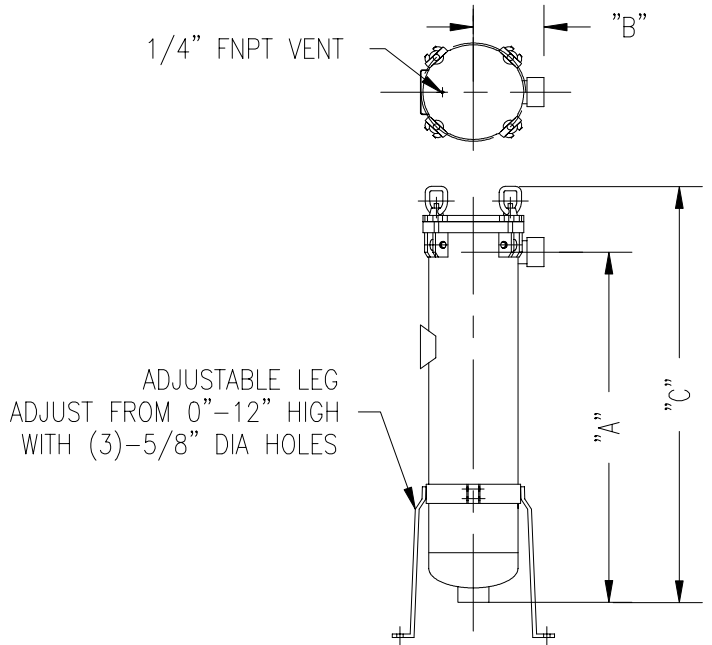


FILTER SOLUTIONS

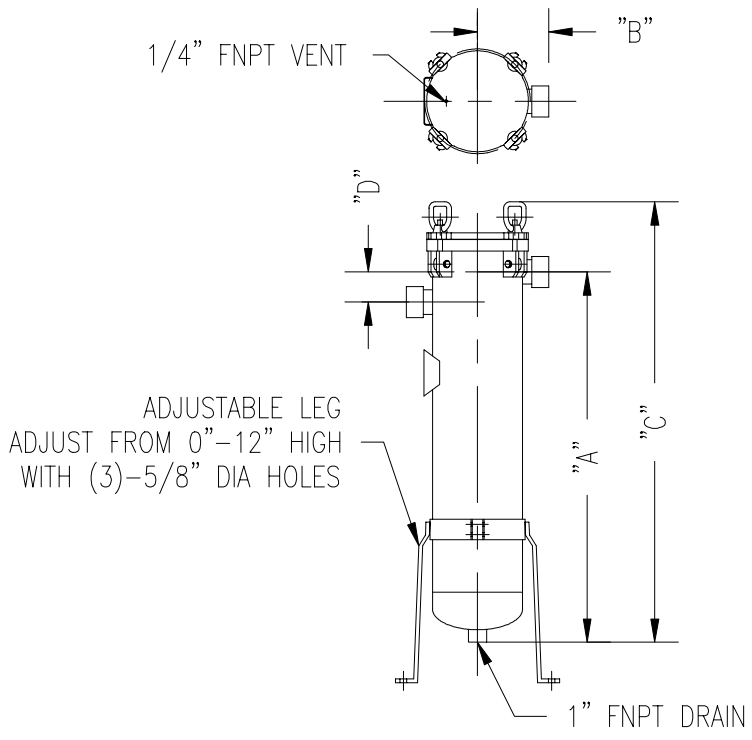
FS-90-SE

STYLE ONE



	FITTING SIZE	A	B	C
STD	2" FNPT	20 1/2"	6 3/4"	26 1/2"
	2 1/2" FNPT	20 3/4"	6 3/4"	27 1/2"
	3" FNPT	21"	7"	28 1/2"

STYLE TWO



OPTIONS

1/4" FNPT BALL VALVE

PRESSURE GAUGE ASSEMBLY

2 1/4"

6 1/2" O/D

3/8" Ø BAR

1"

1/4" Ø BAR

5" O/D

14 1/4"

DISPLACEMENT BALLOON

BACKFLUSH RESTRAINER

	FITTING SIZE	A	B	C	D
STD	2" FNPT	19 1/2"	6 3/4"	26 1/2"	5"
	2 1/2" FNPT	20"	6 3/4"	26 1/2"	6"
	3" FNPT	20 1/2"	7"	26 1/2"	6"

SHIPPING WEIGHT 80 LBS
 VOLUME 7 1/4 US GAL
 DESIGN PRESSURE 150 PSIG @ 225 F