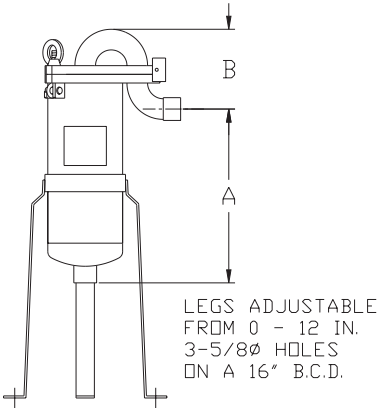
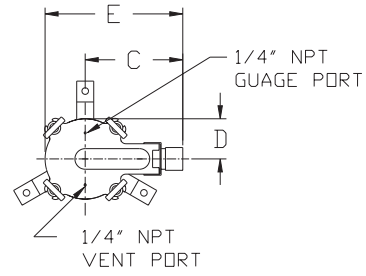
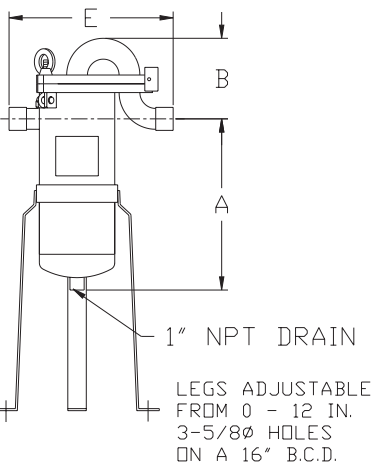
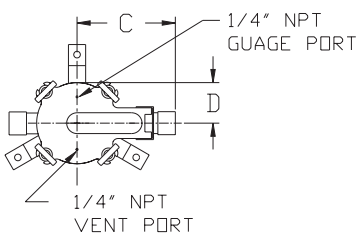


STYLE ONE



FITTING SIZE	A	B	C	D	E
	2" FNPT	16-1/4	9	10-1/4	4-5/8
2-1/2" FNPT	15-3/4	11	12-3/8	4-5/8	17
3" FNPT	16	12-3/4	14	4-5/8	18-11/16

STYLE TWO



OPTIONS

DISPLACEMENT BALLOON

BACKFLUSH RESTRAINER

FITTING SIZE	A	B	C	D	E
	2" FNPT	16-1/4	9	10-1/4	4-5/8
2-1/2" FNPT	16-1/2	11	12-3/8	4-5/8	18-5/8
3" FNPT	16	12-3/4	14	4-5/8	20-1/4

SHIPPING WEIGHT
VOLUME
DESIGN PRESSURE

95 lbs.
4-1/4 US. gal.
150 psig. @ 225 °F