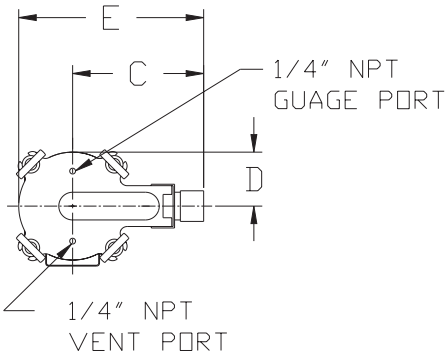
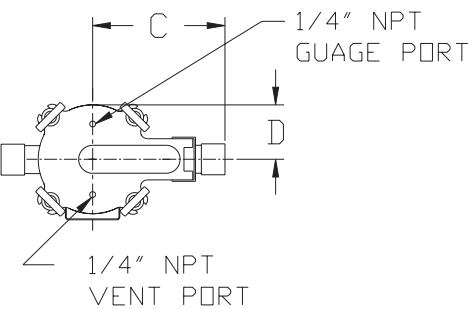


## STYLE ONE

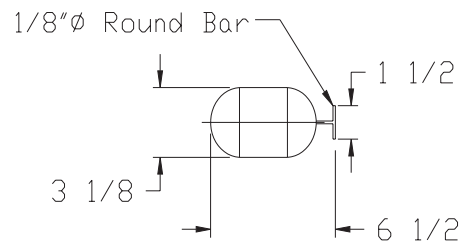


	FITTING SIZE	A	B	C	D	E
STD.	1 FNPT	7	6-3/4	7-3/8	2-7/8	10-3/16
	1-1/2 FNPT	7	6-3/4	7-3/8	2-7/8	10-3/16

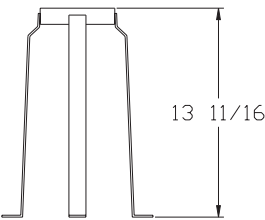
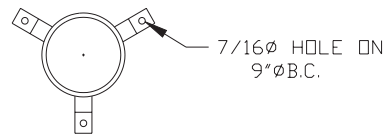
## STYLE TWO



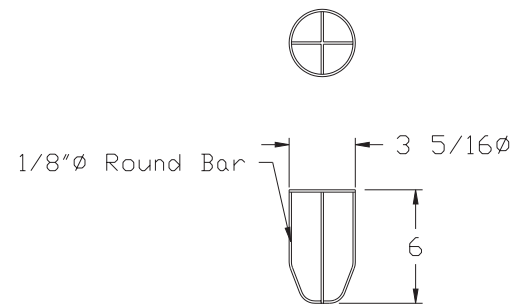
# OPTI ONS



DISPLACEMENT BALLOON



STAND



BACKFLUSH RESTRAINER

	FITTING SIZE	A	B	C	D	E
STD.	1" FNPT	7	6-3/4	7-3/8	2-7/8	11-3/4
	1-1/2" FNPT	7	6-3/4	7-3/8	2-7/8	11-3/4

SHIPPING WEIGHT  
VOLUME  
DESIGN PRESSURE

19 lbs.  
1/2 US. gal.  
150 psig. @ 225 °F

