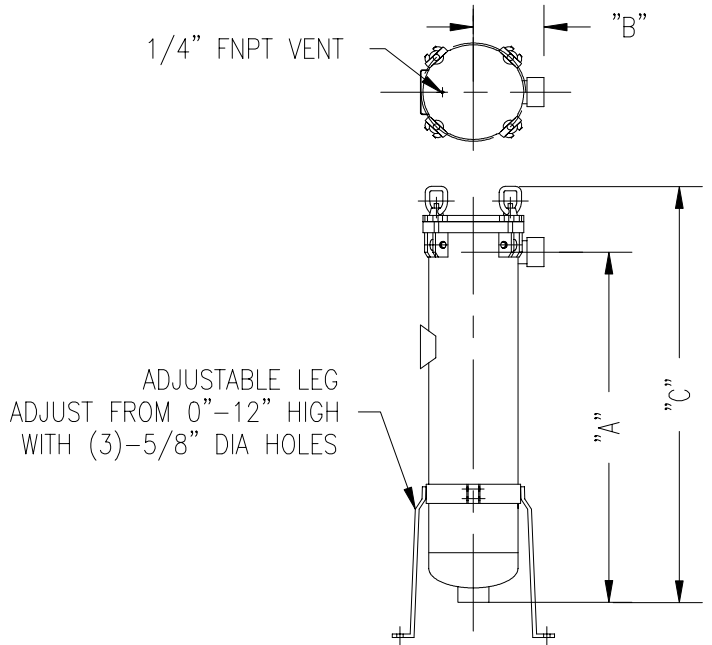


# FILTER SOLUTIONS

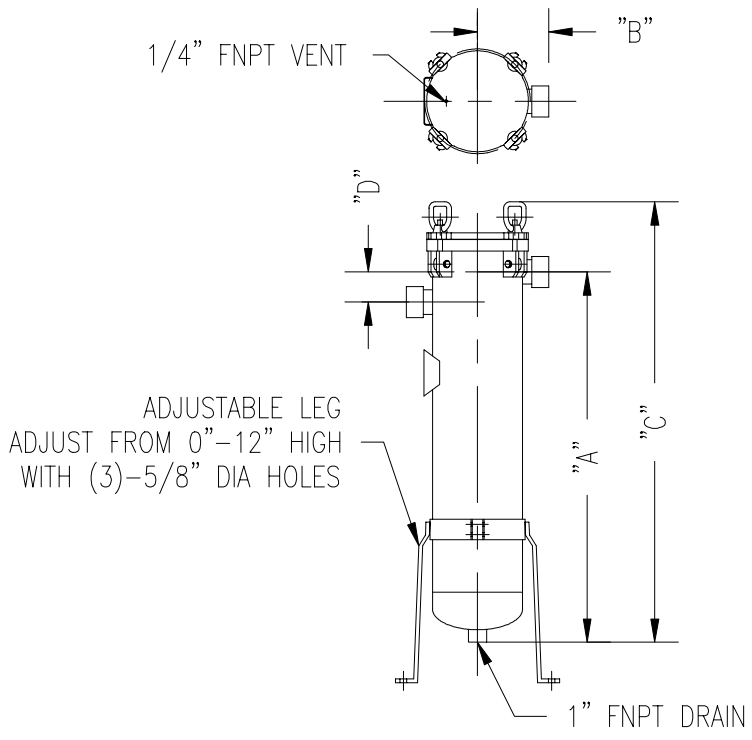
# FS-180-SE

## STYLE ONE



	FITTING SIZE	A	B	C
STD	2" FNPT	34 1/2"	6 3/4"	43"
	2 1/2" FNPT	35"	6 3/4"	43 1/2"
	3" FNPT	35 1/2"	7"	44"

## STYLE TWO



OPTIONS

1/4" FNPT BALL VALVE

PRESSURE GAUGE ASSEMBLY

2 1/4"

6 1/2" O/D

3/8" Ø BAR

1"

1/4" Ø BAR

5" O/D

14 1/4"

DISPLACEMENT BALLOON

BACKFLUSH RESTRAINER

	FITTING SIZE	A	B	C	D
STD	2" FNPT	34"	6 3/4"	42 1/2"	5"
	2 1/2" FNPT	34"	6 3/4"	43"	6"
	3" FNPT	35"	7"	43 1/2"	6"

SHIPPING WEIGHT                      80 LBS  
 VOLUME                                      7 1/4 US GAL  
 DESIGN PRESSURE                      150 PSIG @ 225 F