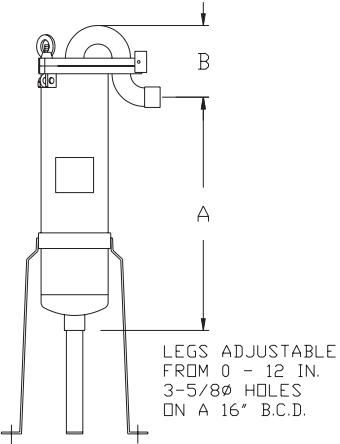
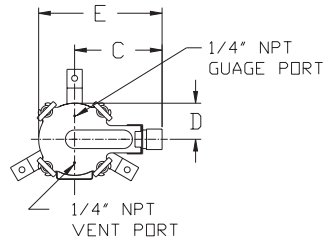
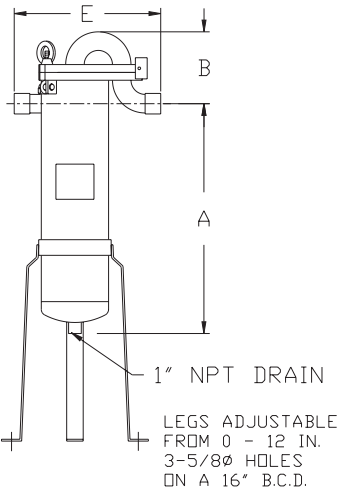
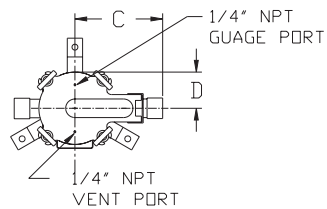


STYLE ONE



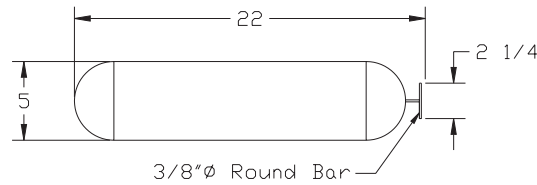
FITTING SIZE		A	B	C	D	E
STD.	2" FNPT	29-1/4	9	10-1/4	4-5/8	15-7/8
	2-1/2" FNPT	29-1/4	11	10-1/4	4-5/8	17
	3" FNPT	29-1/4	12-3/4	10-1/4	4-5/8	18-11/16

STYLE TWO

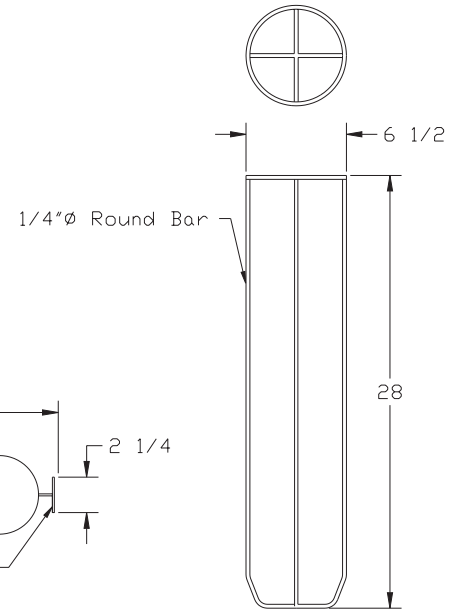


FITTING SIZE		A	B	C	D	E
STD.	2" FNPT	29-1/4	9	10-1/4	4-5/8	17-1/2
	2-1/2" FNPT	29-1/4	11	10-1/4	4-5/8	18-5/8
	3" FNPT	29-1/4	12-3/4	10-1/4	4-5/8	20-1/4

OPTI ONS



DISPLACEMENT BALLOON



BACKFLUSH RESTRAINER

SHIPPING WEIGHT
VOLUME
DESIGN PRESSURE

110 lbs.
7-1/4 US. gal.
150 psig. @ 225 F°